

Voltage Transducer LV 100

For the electronic measurement of voltage: DC, AC, pulsed..., with galvanic isolation between the primary circuit and the secondary circuit.



$$I_{PN} = 10 \text{ mA}$$

$$V_{PN} = 100 \dots 2500 \text{ V}$$

Electrical data

I_{PN}	Primary nominal current rms	10	mA
I_{PM}	Primary current, measuring range	0 ± 20	mA
R_M	Measuring resistance with $\pm 15 \text{ V}$	$R_{M \min}$	$R_{M \max}$
		@ $\pm 10 \text{ mA}_{\max}$	0 150 Ω
		@ $\pm 20 \text{ mA}_{\max}$	0 50 Ω
I_{SN}	Secondary nominal current rms	50	mA
K_N	Conversion ratio	10000 : 2000	
V_C	Supply voltage ($\pm 5 \%$)	± 15	V
I_C	Current consumption	$31 + I_S$	mA

Accuracy - Dynamic performance data

X_G	Overall accuracy @ $I_{PN}, T_A = 25^\circ\text{C}$	± 0.7	%
\mathcal{E}_L	Linearity error	< 0.1	%
I_O	Offset current @ $I_p = 0, T_A = 25^\circ\text{C}$	Typ	Max
			± 0.2
I_{OT}	Temperature variation of I_O $0^\circ\text{C} \dots + 70^\circ\text{C}$	± 0.2	mA
t_r	Response time ¹⁾ to 90 % of I_{PN} step	20 .. 100	μs

General data

T_A	Ambient operating temperature	0 .. 70	$^\circ\text{C}$
T_S	Ambient storage temperature	- 25 .. + 85	$^\circ\text{C}$
R_P	Primary coil resistance @ $T_A = 70^\circ\text{C}$	1900	Ω
R_S	Secondary coil resistance @ $T_A = 70^\circ\text{C}$	60	Ω
m	Mass	460	g
	Standards	EN 50178: 1997	

Note: ¹⁾ $R_1 = 100 \text{ k}\Omega$ (L/R constant, produced by the resistance and inductance of the primary circuit).

Features

- Closed loop (compensated) voltage transducer using the Hall effect
- Isolated plastic case recognized according to UL 94-V0.

Principle of use

- For voltage measurements, a current proportional to the measured voltage must be passed through an external resistor R_1 which is selected by the user and installed in series with the primary circuit of the transducer.

Advantages

- Excellent accuracy
- Very good linearity
- Low temperature drift
- Optimized response time
- Wide frequency bandwidth
- High immunity to external interference
- Low disturbance in common mode.

Applications

- AC variable speed drives and servo motor drives
- Static converters for DC motor drives
- Battery supplied applications
- Uninterruptible Power Supplies (UPS)
- Power supplies for welding applications.

Application Domain

- Industrial.

Voltage Transducer LV 100

Isolation characteristics

V_d	Rms voltage for AC insulation test, 50 Hz, 1 min	6	kV
		Min	
dCp	Creepage distance	77	mm
dCl	Clearance	74.1	mm
		mm	
CTI	Comparative Tracking Index (group IIIa)	225	

Applications examples

According to **EN 50178** and **IEC 61010-1** standards and following conditions:

- Over voltage category OV 3
- Pollution degree PD2
- Non-uniform field

	EN 50178	IEC 61010-1
dCp, dCl	Rated insulation voltage	Nominal voltage
Basic insulation	6 kV	6 kV
Reinforced insulation	3 kV	3 kV

Safety



This transducer must be used in electric/electronic equipment with respect to applicable standards and safety requirements in accordance with the manufacturer's operating instructions.



Caution, risk of electrical shock

When operating the transducer, certain parts of the module can carry hazardous voltage (eg. primary busbar, power supply).

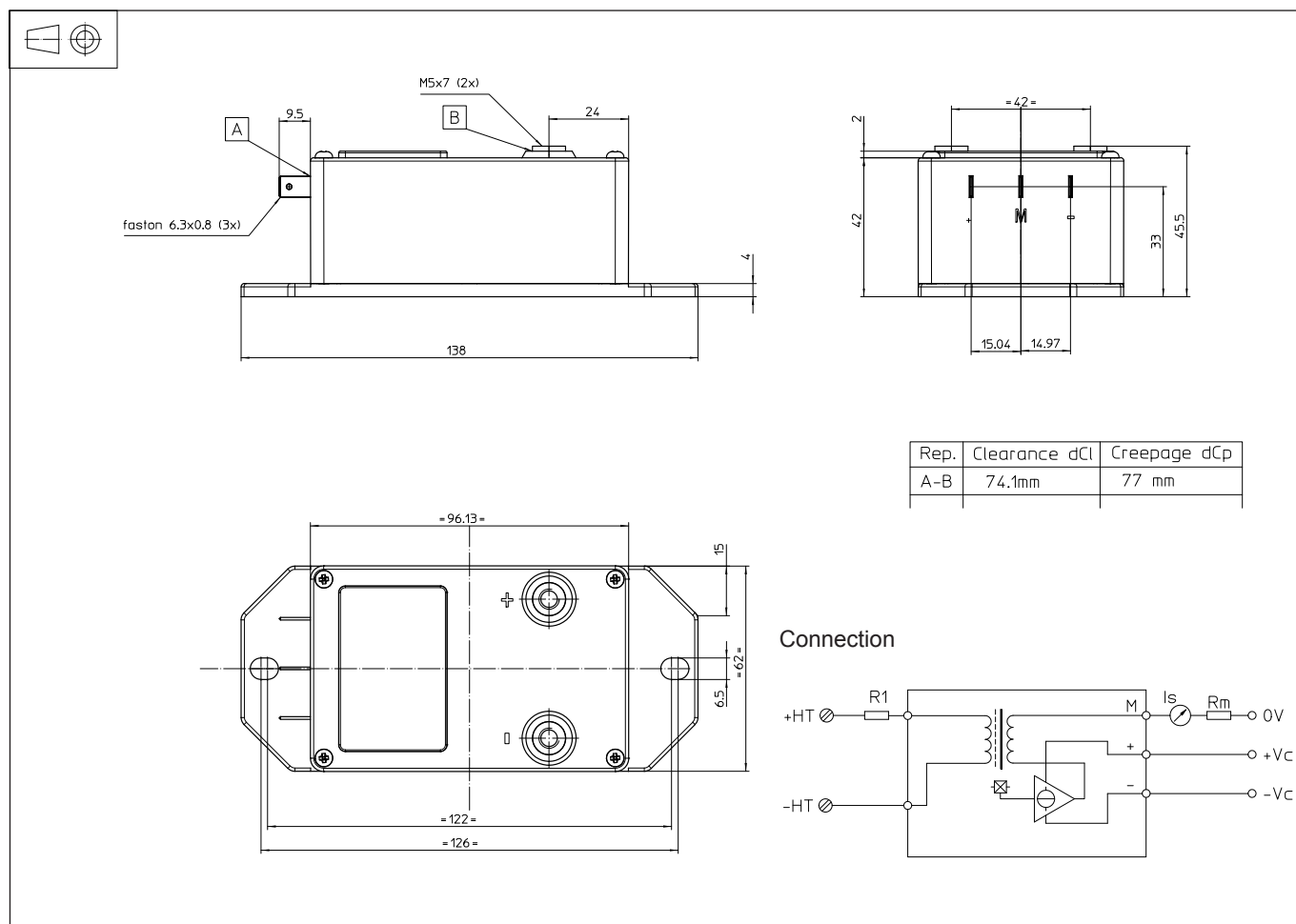
Ignoring this warning can lead to injury and/or cause serious damage.

This transducer is a build-in device, whose conducting parts must be inaccessible after installation.

A protective housing or additional shield could be used.

Main supply must be able to be disconnected.

Dimensions LV 100 (in mm)



Mechanical characteristics

- General tolerance ± 0.3 mm
- Transducer fastening 2 holes $\varnothing 6.5$ mm
M6 steel screws
Recommended fastening torque 5 Nm
- Connection of primary M5 steel screws
Recommended fastening torque 2.2 Nm
- Connection of secondary Faston 6.3 x 0.8 mm

Remarks

- I_S is positive when V_P is applied on terminal +HT.
- This is a standard model. For different versions (supply voltages, turns ratios, unidirectional measurements...), please contact us.

Instructions for use of the voltage transducer model LV 100

Primary resistor R_1 : the transducer's optimum accuracy is obtained at the nominal primary current. As far as possible, R_1 should be calculated so that the nominal voltage to be measured corresponds to a primary current of 10 mA.

Example: Voltage to be measured $V_{PN} = 1000$ V

a) $R_1 = 100$ k Ω /40 W, $I_P = 10$ mA Accuracy = ± 0.7 % of V_{PN} (@ $T_A = +25^\circ\text{C}$)

b) $R_1 = 400$ k Ω /5 W, $I_P = 2.5$ mA Accuracy = ± 2.5 % of V_{PN} (@ $T_A = +25^\circ\text{C}$)

Operating range (recommended): taking into account the resistance of the primary windings (which must remain low compared to R_1 in order to keep thermal deviation as low as possible) and the isolation, this transducer is suitable for measuring nominal voltages from 100 to 2500 V.