

AC Current Probe

Model ACP 200 M3

Part no.: P-00.440.2

The ACP 200 M3 current probe is based on AC transformer technology for use in measurement of AC current.

Electrical Characteristics

Current Range IN	: 200A AC _{RMS}
Measuring Range	: 0.5A to 300A _{RMS}
Output Sensitivity	: 10mV / A
Load Impedance.....	: >10kOhm
Conductor Position Sensitivity	: <0.5% @ 50/60Hz
Error due to adjacent conductor	: ≤15mA / A @ 50Hz
Phase Shift at 2kHz @ 10A	: ±1 degree
Frequency Range.....	: 40Hz to 10kHz (- 3dB)
Temperature Coefficient	: 0.015% / °C
Working Voltage (see Safety Standards section).....	: 600V AC _{RMS} or DC

Accuracy

Primary Current	0.5 to 10A	10 to 50A	50 to 100A	100 to 300A
Accuracy (of rdg)	± 3% + 0.5mA	± 2% + 0.5mA	± 1% + 0.5mA	± 1% + 0.5mA
Phase Error	Not specified	5°	2.6°	2°

General Characteristics

Maximum Conductor Size	: 15mm diameter, bus bar 15 x 17mm
Output Connection	: 4mm safety sockets
Operating Temperature Range.....	: -10 to +55°C
Storage Temperature Range.....	: -20 to +70°C
Operating Humidity.....	: 15% to 85% (non condensing)
Weight.....	: 175g

Reference conditions: Temperature : +18°C to 26°C, humidity: 20 to 75% RH, sinusoidal current: 48 to 65Hz, distortion factor: < 1%, DC current: none, DC magnetic field: 40 A/m earth's magnetic field, alternative magnetic field: none, proximity of external conductor: none, primary conductor: centred in the aperture, load impedance: **≤1Ω for current output.**

ACP200M3_130708_02

GMC-I PROSyS Ltd.

Allied Business Centre | 1 Potter Place | Skelmersdale | Lancashire | WN8 9PH | United Kingdom
 Telephone: +44 (0) 1695 567280 | Fax: +44 (0) 1695 567299
 www.i-prosys.com | sales@i-prosys.com

Registered Company Number: 5116760
 Vat Number: GB863880193

Connection Details

Pin	Function
S1	Output +
S2	Output -

Safety Standards

BSEN61010-1: 1993 and Amendment A2: July 1995

BSEN61010-2-032: 1995

BSEN61010-2-031: 1995

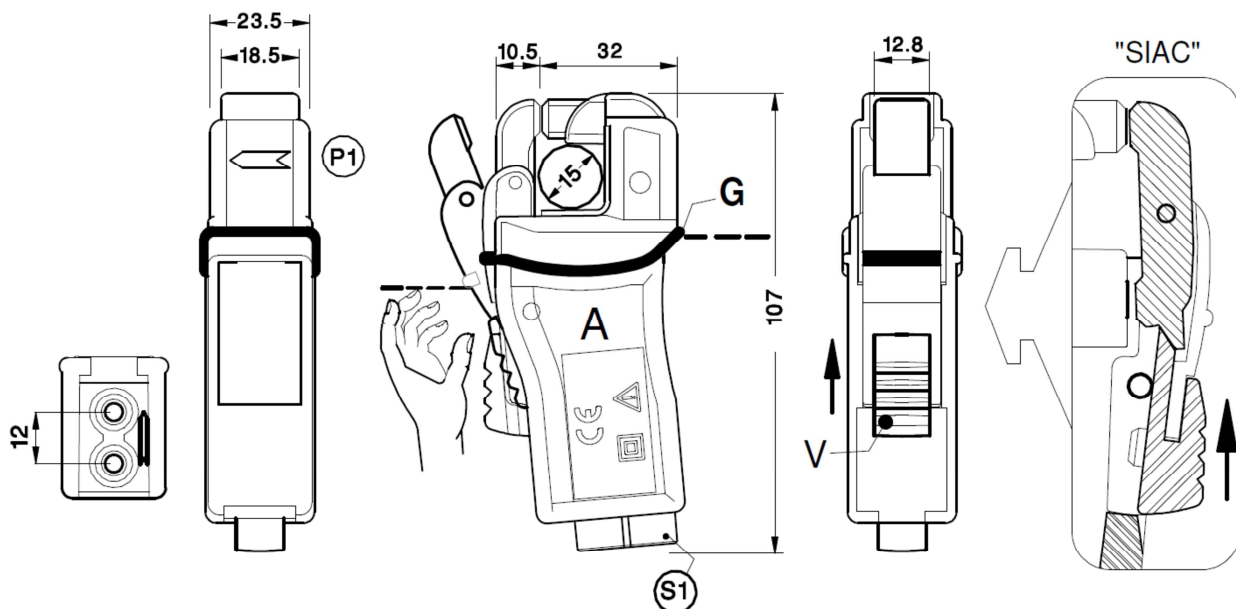
600V_{RMS}, Category III, Pollution Degree 2

Use of the probe on **uninsulated conductors** is limited to 600 V AC_{RMS} or DC and frequencies below 1kHz.

EMC Standards

EN 61326 :1998

Dimensions in mm:



ACP200M3_130708_02

GMC-I PROSyS Ltd.

Allied Business Centre | 1 Potter Place | Skelmersdale | Lancashire | WN8 9PH | United Kingdom

Telephone: +44 (0) 1695 567280 | Fax: +44 (0) 1695 567299

www.i-prosys.com | sales@i-prosys.com

Registered Company Number: 5116760

Vat Number: GB863880193