

AC Current Probe Model ACP 1000 SM

Part no.: P-00.600.1

The ACP 1000 SM current probe has been designed for use with multimeters, recorders, power analysers, safety testers etc. for accurate non intrusive measurement of AC current. Using the latest transformer technology, the SM 1000A/1A can measure currents from 100mA to 1500A over a frequency range of 30Hz to 10kHz.



Electrical Characteristics

Nominal Current I_N	: 1200A _{RMS}
Continuous Measuring Range	: 100mA to 1200A _{RMS}
Overload Capability for 1 Hour, 33% Duty Cycle	: 1500A _{RMS} (50/60Hz)
Output Sensitivity	: 1mV/A
Turns Ratio.....	: 1000:1
Accuracy...(@100A, 2kHz, +25°C).....	: ±1% of reading
Load Impedance.....	: >10kOhm
Phase Shift at 2kHz.....	: ±1 degree
Frequency Range.....	: 30Hz to 10kHz (-3dB)
Working Voltage (see Safety Standards section).....	: 600V AC _{RMS} or DC

Accuracy

Primary Current	1 to 10A	10 to 50A	50 to 200A	200 to 1000A	to 1200A
Accuracy (of rdg)	±3%	±3%	±1.5%	±0.8%	0.5%
Phase Error	Not specified	3°	1.5°	0.75°	0.5°

General Characteristics

Maximum Conductor Size	: 54mm diameter
Output Connection	: 4mm safety sockets
Operating Temperature Range.....	: -10 to +55°C
Storage Temperature Range.....	: -40 to +70°C
Operating Humidity.....	: 15% to 85% (non condensing)
Weight.....	: 650g

ACP1000SM_130708_02

GMC-I PROSyS Ltd.

Allied Business Centre | 1 Potter Place | Skelmersdale | Lancashire | WN8 9PH | United Kingdom

Telephone: +44 (0) 1695 567280 | Fax: +44 (0) 1695 567299

www.i-prosys.com | sales@i-prosys.com

Registered Company Number: 5116760

Vat Number: GB863880193

Safety Standards

BSEN61010-1: 1993 and Amendment A2: July 1995
 BSEN61010-2-032: 1995
 BSEN61010-2-031: 1995

600V_{RMS}, Category III, Pollution Degree 2

Use of the probe on **uninsulated conductors** is limited to 600 V AC_{RMS} or DC and frequencies below 1kHz.

EMC Standards

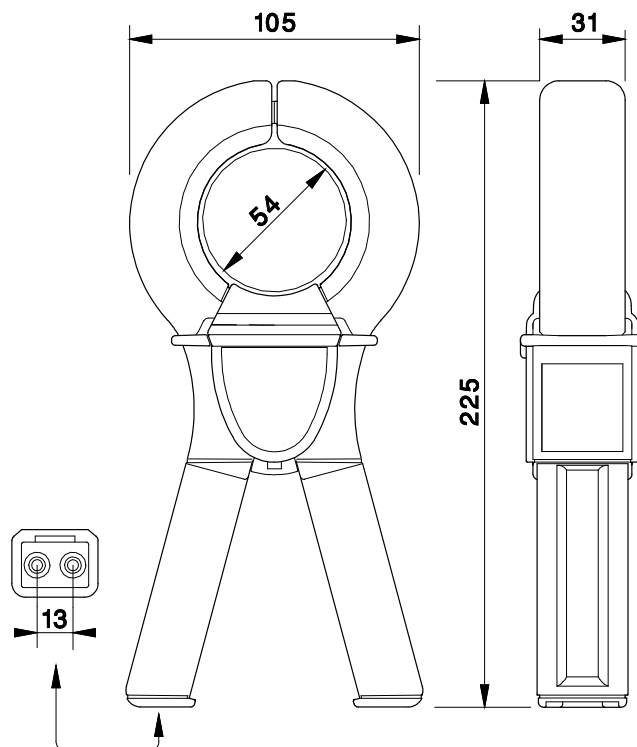
EN61326 :1998

Reference Conditions

Temperature.....	22 ± 3°C
Sinusoidal current.....	48 to 65Hz
Distortion factor.....	< 1%
DC current.....	None
DC Magnetic field.....	40A/m Earth's magnetic field
Primary conductor.....	Centred in the aperture
Proximity of external conductor..	None

Dimensions in mm:

Pin	Function
S1	Output +
S2	Output -



ACP1000SM_130708_02

GMC-I PROSyS Ltd.

Allied Business Centre | 1 Potter Place | Skelmersdale | Lancashire | WN8 9PH | United Kingdom
 Telephone: +44 (0) 1695 567280 | Fax: +44 (0) 1695 567299
 www.i-prosys.com | sales@i-prosys.com

Registered Company Number: 5116760
 Vat Number: GB863880193